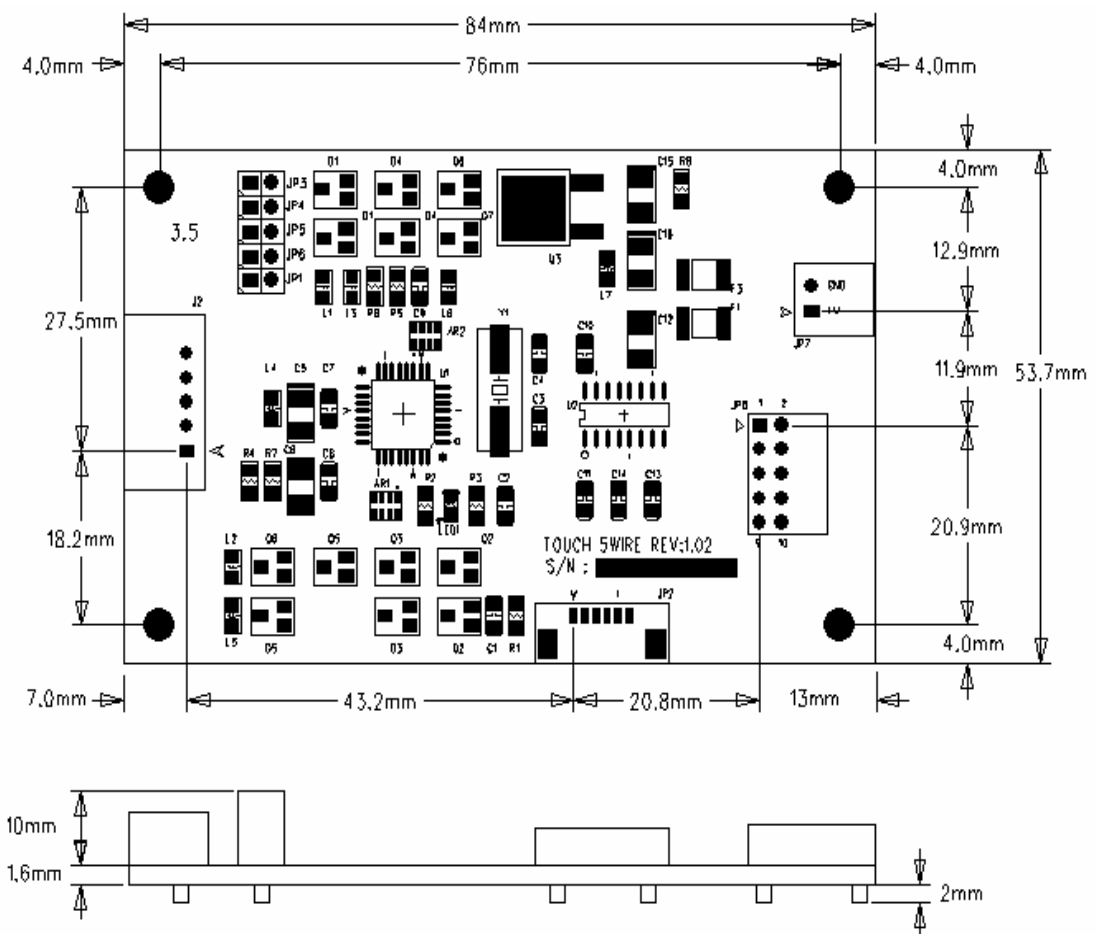




5-Wire Resistive RS232 Controller

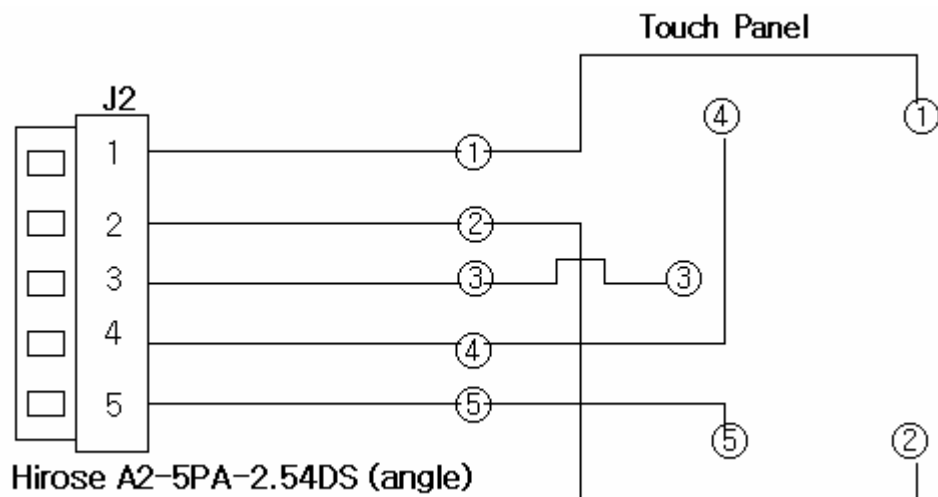
This touch screen controller provides the optimum performance of 5-wire analog resistive touch sensor. The touch driver emulates mouse left and right button function and supports operation systems, including Windows 9x, Windows 2000/XP, Linux, DOS, etc. This controller is also compatible with third party software such as ELO.



1. Electrical Specifications (RS232C)

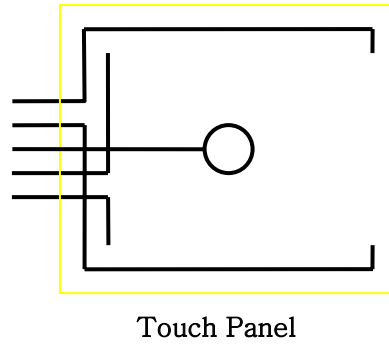
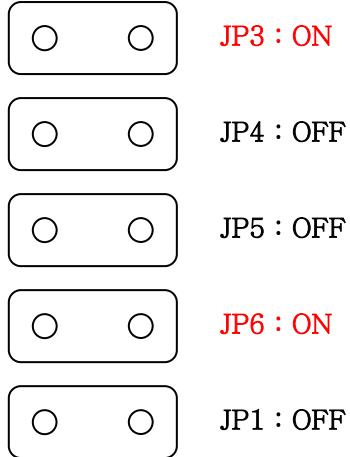
Specifications	
Power Requirements	+ 5VDC(Max. 100mA, Typical 70mA, 50mV)
Operating Temperature	0 ~ 50℃
Storage Temperature	-20 ~ 60℃
Relative Humidity	95% at 60℃
Protocol	9600 Bauds, None Parity, 8Data Bit, 1Stop Bit
Resolution	4096×4096
Report Rate	Max. 250point/sec
Response Time	Max. 40ms

2. Pin Assignment

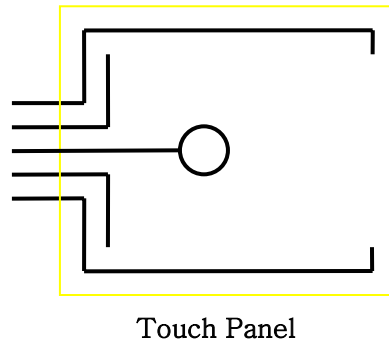
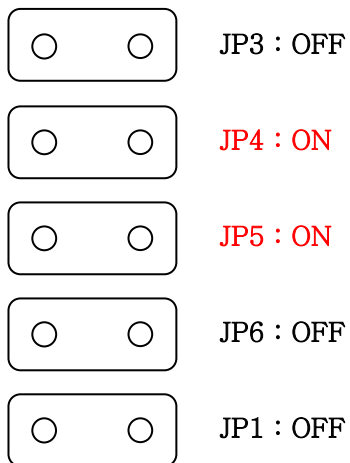


3. Jumper Settings

A. Elo Type Pin Assignment (When Elo driver is used)

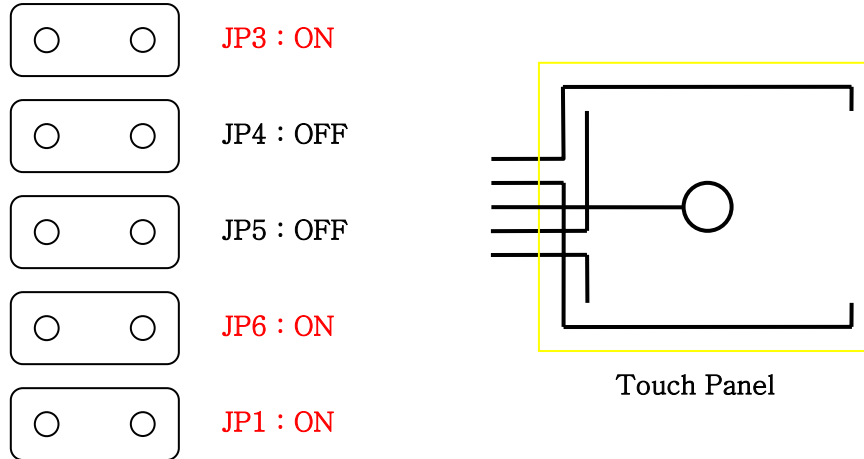


B. 3M Type Pin Assignment (When Elo driver is used)



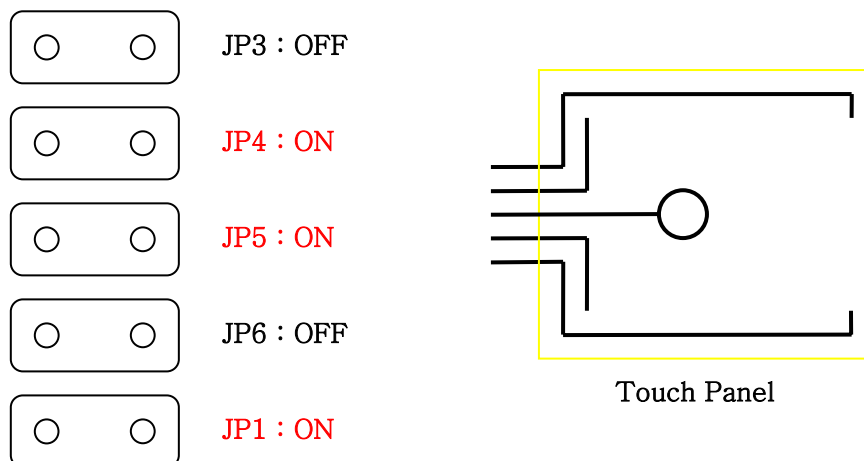
(When IGT driver is used)

C. IGT Touch Protocol + Elo Type Pin Assignment

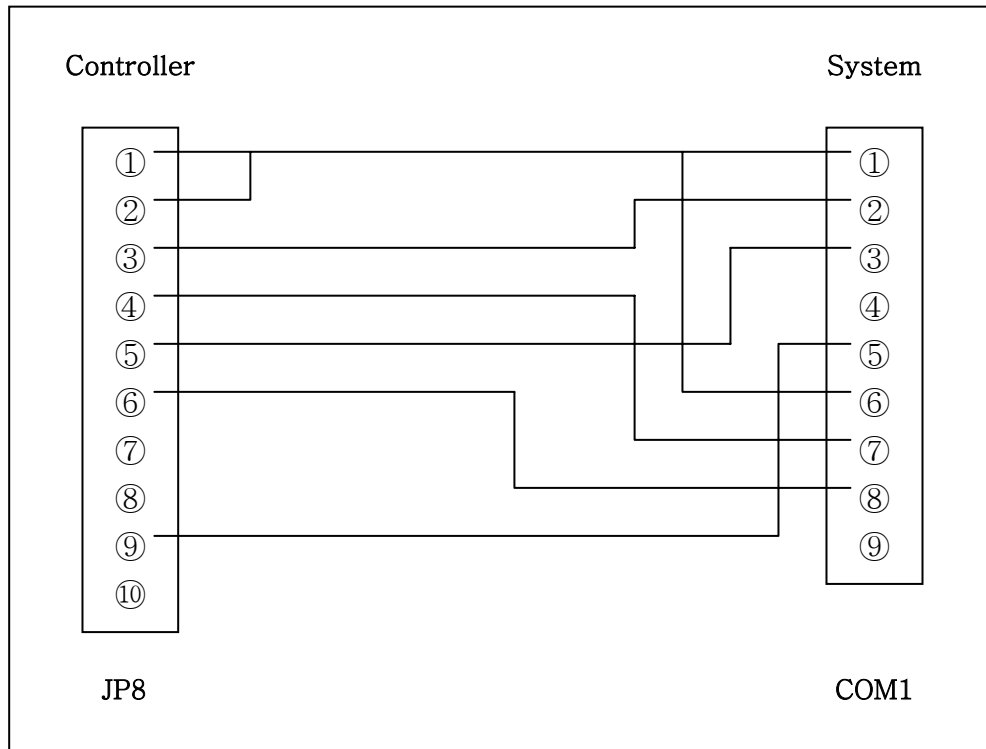


(When IGT driver is used)

D. IGT Touch Protocol + 3M Type Pin Assignment



4. RS232C Interface Cable



5. Power Cable

