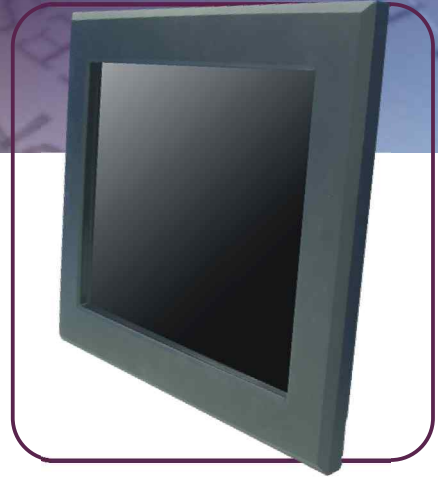


IP65 Solution

17"

Specifications

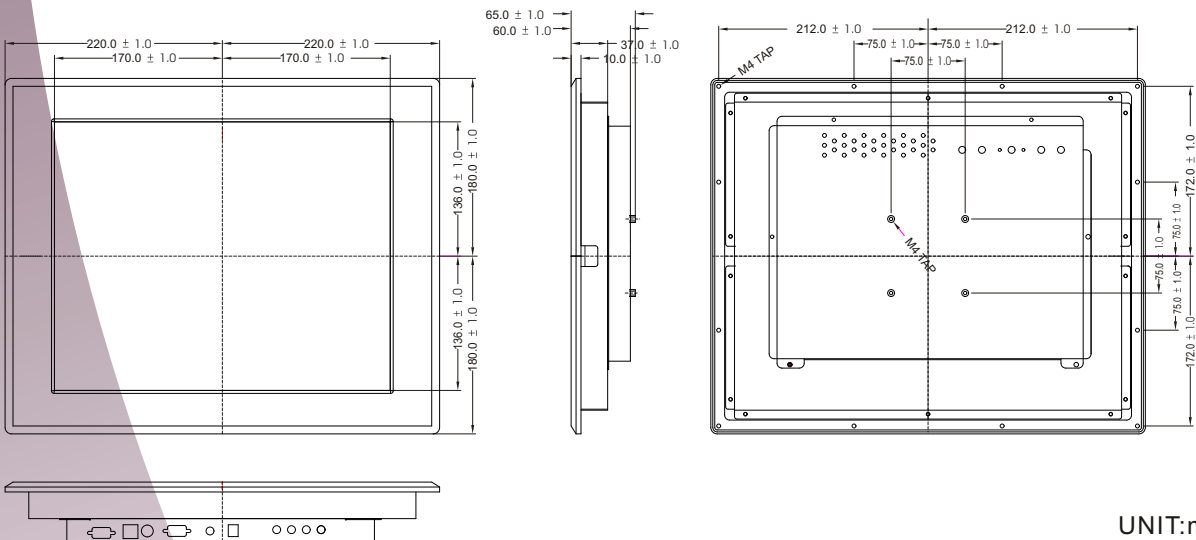


Model Name	R17L500-IPM1
Viewable Size Image	17"
Active Display Area(mm)	337.92(H)x270.34(V)
Pixel Pitch(mm)	0.264(H)x0.264(V)
Number of Pixels	1280x1024
Contrast Ratio	500:1(typ.)
Display Color	16.2M(6bit+FRC)
Brightness(cd/m ²)	300(typ.)
Viewing Angle(CR>=10)	-75~75(H);-60~70(V)
Synchronization Range	31.5~80.0KHz/60~75Hz
Horizontal/Vertical	
Recommended Resolution	1280x1024@60Hz, 75Hz
Signal Connector	15 pin D-Sub
Power Source	AC100~240V, Universal, ±10%
Power Consumption	32W typical, normal operation
Power Management	VESA DPMS Compliant
Plug & Play	VESA DDC 1/2B
Optional Video Input	S-Video, Composite
Optional DVI Input	Yes
Optional Touch Screen	Resistive, Capacitive, SAW

Remarks:R17L500 series= VGAinput only

R17L540 series= VGA+Video Input

Mechanical Drawing



UNIT:mm