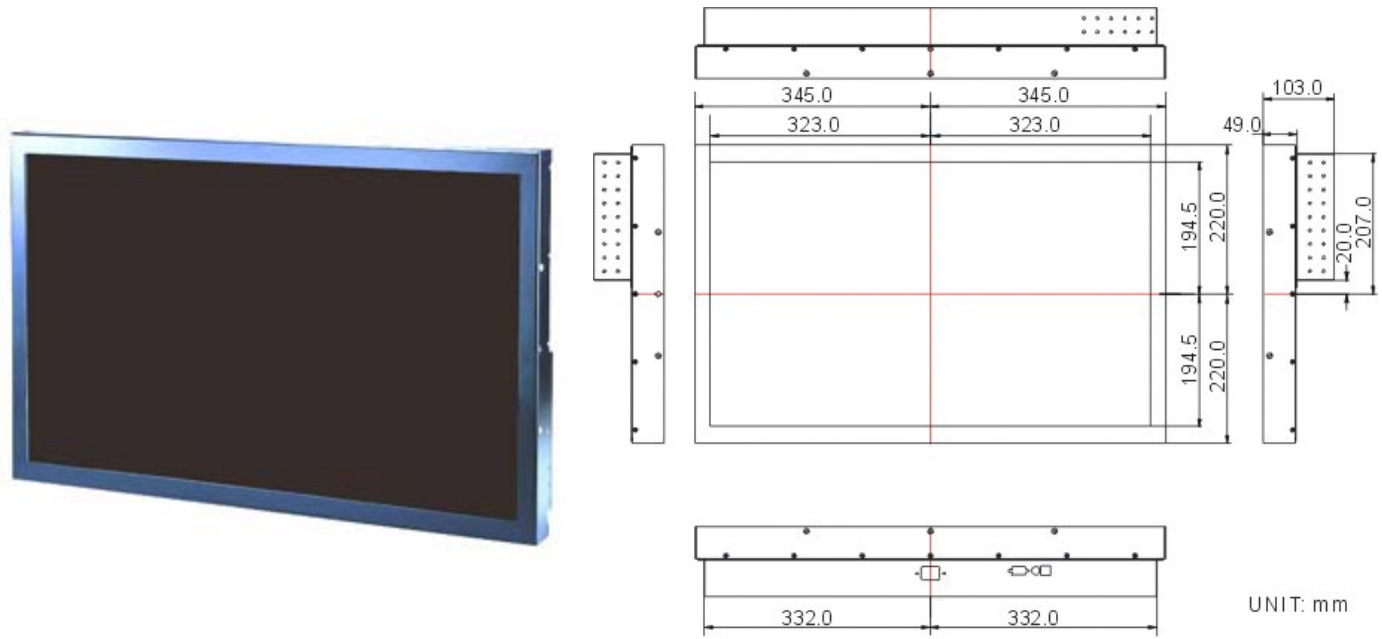


30" OPEN FRAME LCD



Specification

Model Name	AT30T200, AT30T230
Viewable Image Size	29.53" (16:9)
Active Display Area (mm)	643.2(H)x385.92(V)
Pixel Pitch (mm)	0.1675(H)x 0.5025(V)
Number of Pixels	1280 x 768
Contrast Ratio	500:1
Display Color	16.7M (8 bits/colors)
Brightness (CD/m ²)	500
Viewing Angle (CR >=10)	85~85 (H); -85~85 (V)
Synchronization Range	31.5~80 KHz / 56~75Hz
Horizontal / Vertical	
Recommended Resolution	1280x768@60Hz, 75Hz
Signal Connector	15 pin D-sub
Power Source	AC 100~240 V, Universal, ±10%
Power Consumption	150 W typical, normal operation
Power Management	VESA DPMS Compliant
Plug & Play	VESA DDC 1/2B
Optional Video Input	S-Video, Composite
Optional Touch Screen	SAW

Remarks: AT30T200 series = VGA input only
 AT30T230 series = VGA + Video input