

19.0" LCD Rackmount Marine Monitor



Features

- ◆ Advanced Deep Dimming 1000:1
- ◆ Built-in External Power Relay
- ◆ Certified to IEC 60945
- ◆ Contrast Enhancing AR Safety Glass
- ◆ ECDIS & Radar Compliance
- ◆ Type Approvals Pending
- ◆ VGA to SXGA + PAL/NTSC/SECAM
- ◆ Video Buffer & Remote Control

Introduction

KME has 'Marinised' a high resolution TFT panel to suit the 19" equipment rack format. Resolutions up to 1280 x 1024 pixels can be displayed with superb image quality.

To aid installation, flexible mounting combinations include VESA standard fixings at the rear, and a separate mounting bracket for Control Desk or Overhead positioning. The Monitor is manufactured in full compliance with IACS E10.

Application

Designed with ECDIS and Radar in mind and to specifically meet the stringent demands of Shock, Vibration, EMC, EMI defined in the EN 60945 International Standard for Maritime Navigation and Radio communications Equipment & Systems.

The monitor offers continuity by design for all Navigation and Ship Automation applications.

KENT MODULAR ELECTRONICS LTD

611 Maidstone Road, Rochester, Kent ME1 3QL UK. Tel: +44 (0)1634 830123 Fax: +44 (0)1634 830619

URL: www.kme.co.uk E-Mail: sales@kme.co.uk

Due to a policy of continuous product development KME reserves the right to change specifications and descriptions without prior notification. All trade marks acknowledged.



Technical Specifications

Electrical Description

Display Characteristics:

Type: 19.0" a-Si AM TFT
Dot Number: 1280 x 1024 pixels
Dot Pitch: 0.294mm
Response Time: 15ms average, typical
Contrast Ratio: 500:1 min.
Light Intensity: 250cd/m² typical
Viewing Angles (at CR>10): 85° - Left, Right, Up, Down
Backlight Life: 50,000 hours typical

Display Colours Analog Input:

Colour Depth: 16.7million (Depending on Graphics Card)

Video Signal:

Analog: RGB 0.7-1.0Vp-p
Impedance: 75 Ohms

Sync Signal:

Sync. Type/Level: Separate H&V (+/-ve) TTL or Composite (-ve) TTL or Sync-on-Green (-ve) 0.3V

Synchronisation Range:

Horizontal Scan: 31 to 91kHz
Vertical Scan: 60 to 85Hz

Resolutions:

VESA Support: 640 x 480 VGA
800 x 600 SVGA
1024 x 768 XGA
1280 x 1024 SXGA*

* Recommended for Optimised Resolution

Composite Video Inputs:

PAL, NTSC & SECAM

Active Display Area:

376.3 x 301.1mm

Power Supply:

90-265V 50/60Hz: Internal (AC Version)
15-30V DC: Internal (DC Version)

Power Consumption:

Operating: 65 W (Max.)

Environmental:

**Operating Temp: -15 to +55°C (EN60945 tests)
Storage Temp: -20 to +60°C
Operating Humidity: 30% to 90% (non condensing)
Storage Humidity: 10% to 90% (non condensing)

**Quoted EN60945 test. We DO NOT recommend routine operation @ extreme temperatures.

Mechanical Description

Construction:

Housing: Aluminium
Safety Glass: Toughened, Optically Coated and Contrast Enhancing
Sealing: Front Panel IP65

Dimensions:

Monitor: 483 x 443.9 x 98.5mm
Weight (approx): 11kg.

Input Connectors:

RGB Signal: 15-pin HD Female D-Type
Video Signal: RCA + S-video socket
RS232 Remote Control: 9-pin Female D-Type
Power (AC Version): 3-Pin IEC Male
Power (DC Version): 3-Pin Circular

Output Connectors:

Video Buffer (Multi-Drop): 15-pin HD Male D-Type
***Capacitive Touch Screen: 9 pin Female D-Type
RS232 Remote Control: 9-pin Male D-Type
Ext. Power Relay (AC Version): 3-Pin IEC Female

User Controls:

Front Panel: Power On/Off (Pushbutton), Rotary Brightness & Contrast, Power LED Indicator

Behind Cover on Front Panel: OSD Functions

Approvals

IEC 60945:

Tested to IEC 60945 4th Edition

Type Approvals:

LRS Lloyds Register of Shipping - In Progress

We will apply to the following classification societies where demand justifies:-

ABS American Bureau of Shipping
ClassNK Nippon Kaiji Kyokai
DNV Det Norske Veritas
GL Germanischer Lloyd

ECDIS & Radar compliance:

Tested for IEC 61174 compliance by BSH

Ordering Codes

Standard Configuration:

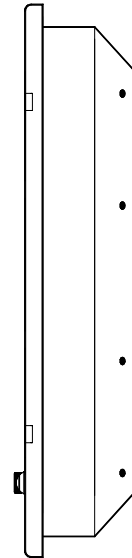
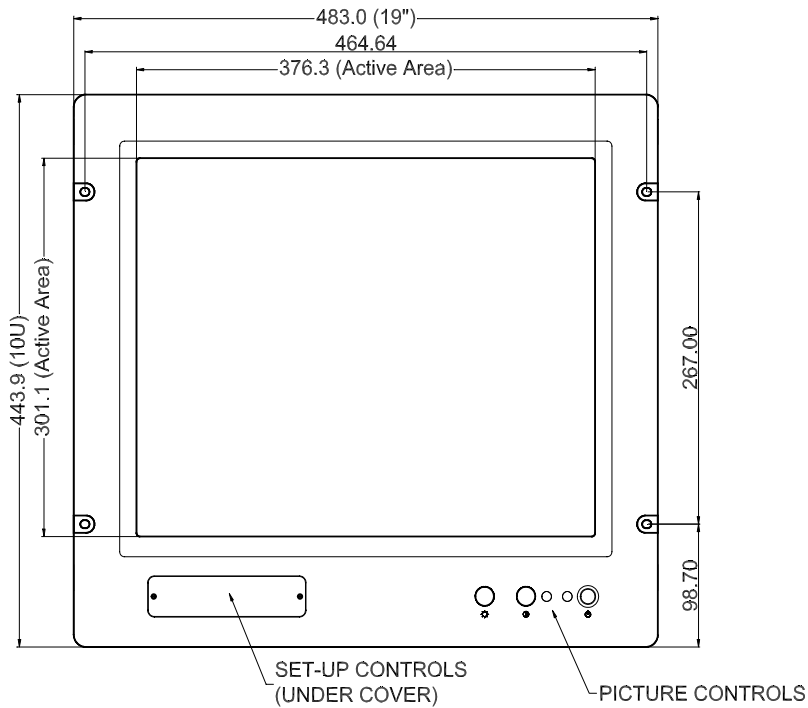
Monitor (AC Version): 29LR193A35MP
Monitor (DC Version): 29LR193D35MP

Ancillaries/** * Options:

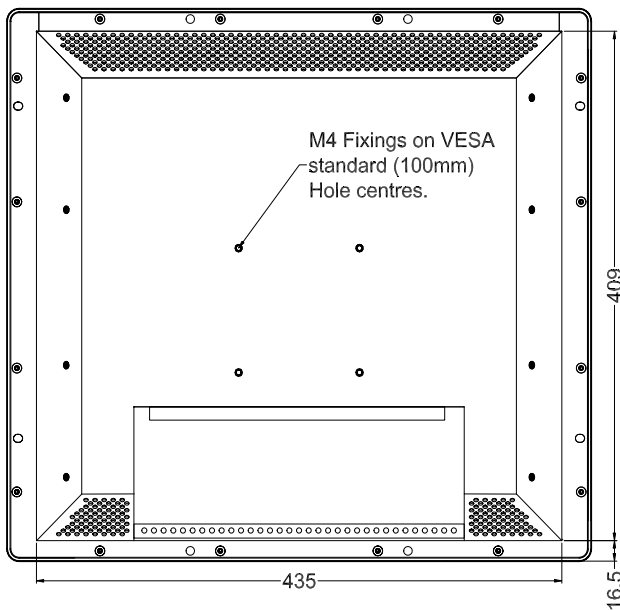
Mounting Bracket: 29ST0011
Sunvisor: On Request
Capacitive Touch Screen: On Request

Mechanical Specifications

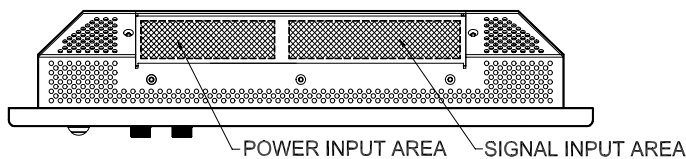
FRONT VIEW



REAR VIEW



BOTTOM VIEW



All dimensions in millimetres
(Not to scale)

KENT MODULAR ELECTRONICS LTD

611 Maidstone Road, Rochester, Kent ME1 3QL UK. Tel: +44 (0)1634 830123 Fax: +44 (0)1634 830619

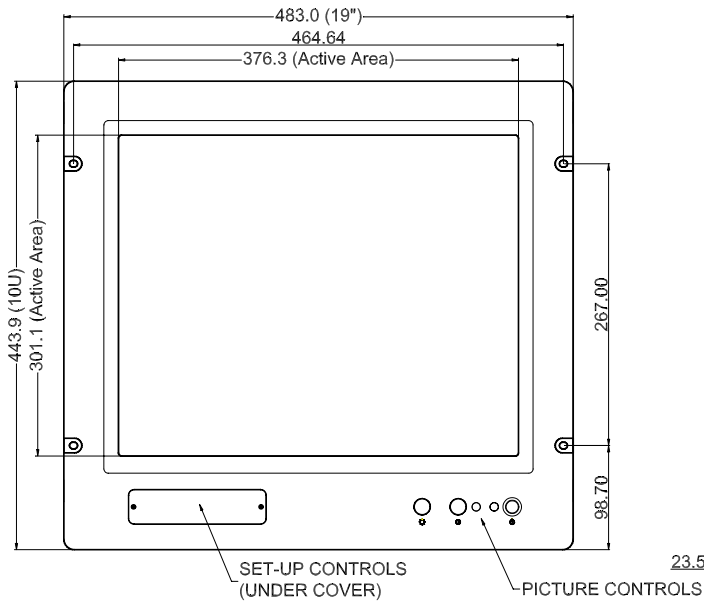
URL: www.kme.co.uk E-Mail: sales@kme.co.uk

Due to a policy of continuous product development KME reserves the right to change specifications and descriptions without prior notification. All trade marks acknowledged.

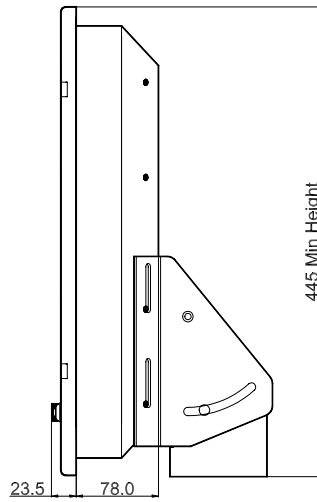


Mounting Bracket - 29ST0011

FRONT VIEW

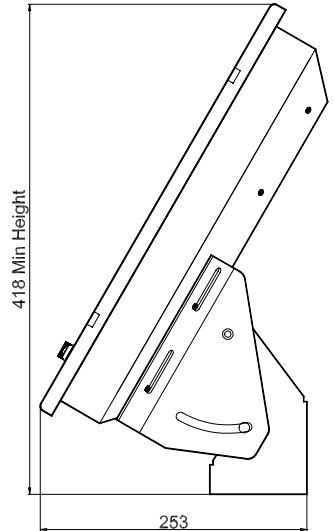


SIDE VIEW 0° TILT

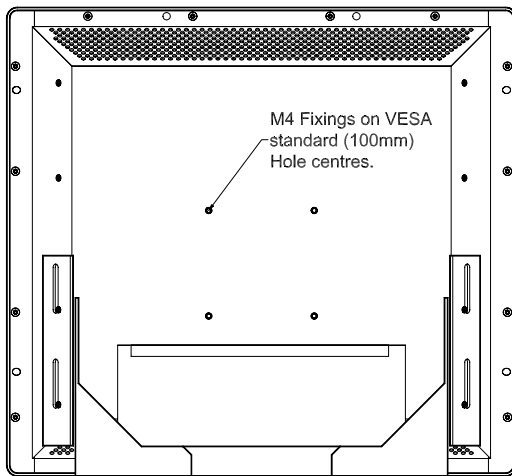


DESKTOP MOUNTING

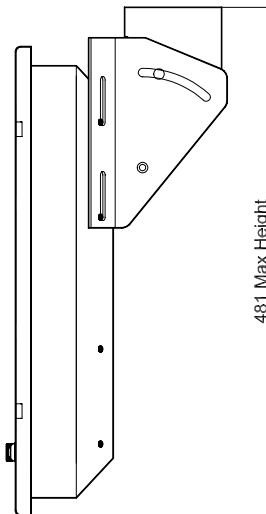
SIDE VIEW 30° TILT



REAR VIEW

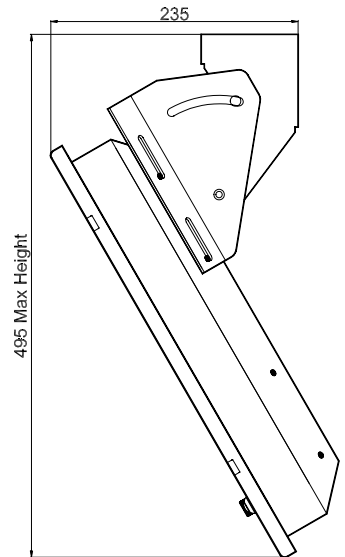


SIDE VIEW 0° TILT

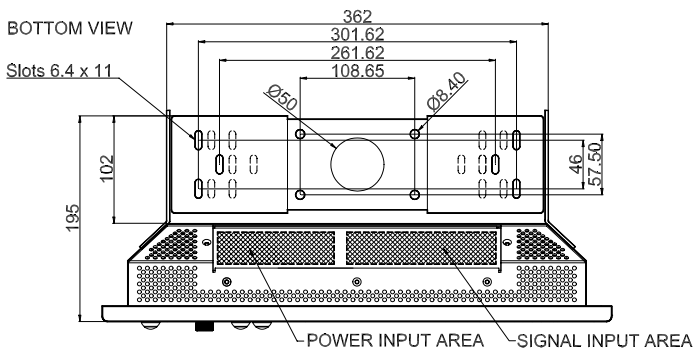


OVERHEAD MOUNTING

SIDE VIEW 30° TILT



BOTTOM VIEW



All dimensions in millimetres
(Not to scale)

KENT MODULAR ELECTRONICS LTD

611 Maidstone Road, Rochester, Kent ME1 3QL UK. Tel: +44 (0)1634 830123 Fax: +44 (0)1634 830619

URL: www.kme.co.uk E-Mail: sales@kme.co.uk

Due to a policy of continuous product development KME reserves the right to change specifications and descriptions without prior notification. All trade marks acknowledged.

